

# SWINGSTOPPERS

## STORM PROTECTION FOR YOUR BOAT AND LIFT

### STORMSTRAPS Measurements for a 4 post lift:

We make the ratchet and strap a custom length to fit your boat and lift. Our optimal goal is to place the ratchet just inside the cockpit of the boat. This allows an even pull and keeps the ratchet away from the sides of the boat. Achieving this positioning depends on where the cradle of the lift is in relation to the boat. A review of where the white pole travels up the side of your boat assists in understanding the placement of the strap across the boat. The directions below will often be sufficient, but if there is a challenge to determining the optimal strap solution, a picture or two of the lift from the dock showing both white poles from cradle to top of the boat will help us know what additional questions and/or measurements to request.

#### How to Measure:

- 1) Measure the top of the cradle I-Beam. Enter on Page 2.
- 2) Is the cradle I-Beam Aluminum or Galvanized steel? Enter on Page 2.
- 3) For the stern cradle I-Beam, do you have a clear shot going across the back of the boat? If yes:
  - a. Measure from the cradle I-beam up to the top of the gunwale.
  - b. Then measure the width of the gunwale.
  - c. Measure across the boat from inside of gunwale to inside of gunwale.
  - d. *If you want the strap on the ratchet to be very short, then measure from the location of the J-hook on lift to the beginning of the location you wish to place the ratchet. (Ratchet is 8 inches long). Then measure from the beginning of the ratchet up to the top of the gunwale.*
- 4) For the Bow cradle I-Beam, do you have a clear shot going across the bow of the boat? If yes:
  - a. Complete E, F & G
- 5) If No.. it becomes more complicated.... for the Bow sometimes we can send the strap up through the T-Top.
- 6) Sending a picture looking straight at the side of the boat including both cradle I-Beams will help us determine the best strap option to provide.

Once complete, you can scan and email to us or FAX or take a picture on your phone and text it to us. Or just include the A through G measurements in an email.

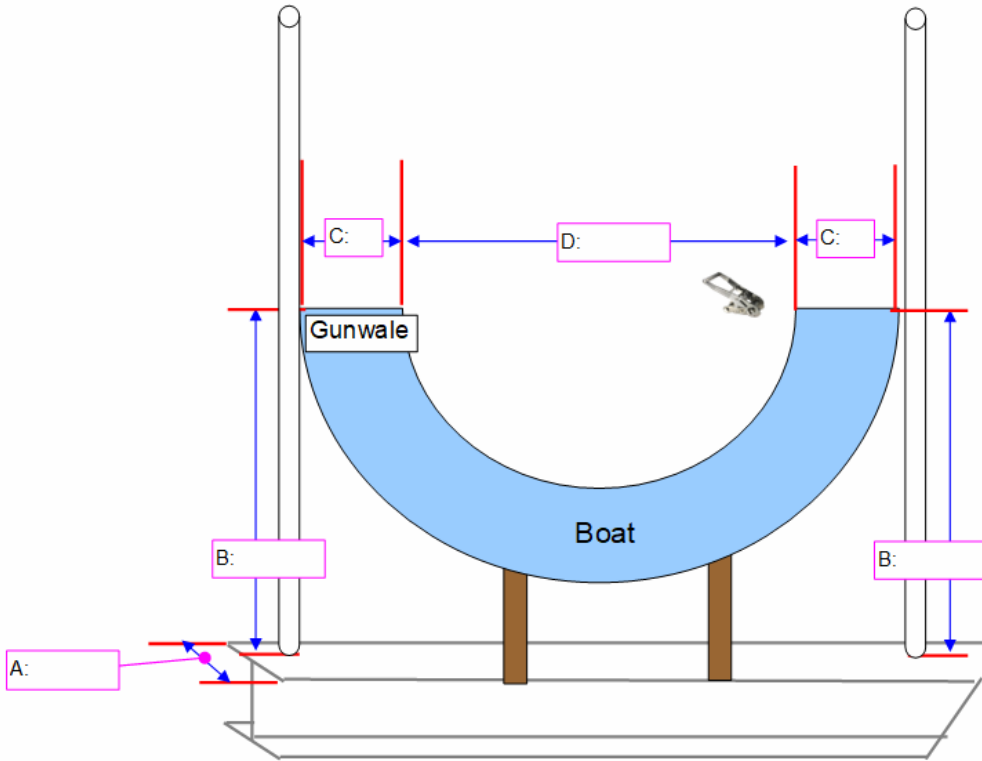
# STORMSTRAPS Order Form

Name \_\_\_\_\_

Date: \_\_\_\_\_

Boat Make/Model & Size \_\_\_\_\_

Cradle I-Beam Aluminum or Galvanized? \_\_\_\_\_



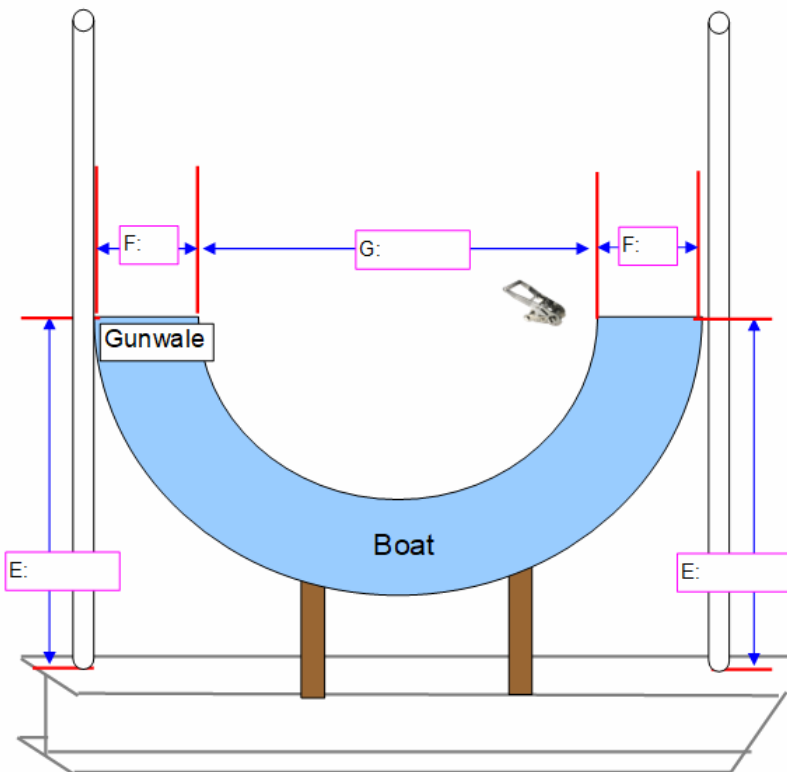
## Stern Measurements

A: \_\_\_\_\_

B: \_\_\_\_\_

C: \_\_\_\_\_

D: \_\_\_\_\_



## Bow Measurements

E: \_\_\_\_\_

F: \_\_\_\_\_

G: \_\_\_\_\_